

A series of horizontal yellow lines of varying lengths and thicknesses, creating a dynamic, layered effect at the bottom of the page. The lines are positioned behind the text 'OUTDOOR TECHNICAL BLINDS' and 'ZIPPY'.

ZIPPY

OUTDOOR TECHNICAL BLINDS



- 1 MOUNT
- 2 ALUMINIUM BOX
- 3 CONTROL
- 4 ROLLER TUBE
- 5 FABRIC
- 6 LATERAL GUIDE
- 7 BOTTOM BAR
- 8 GUIDE LOCK SYSTEM



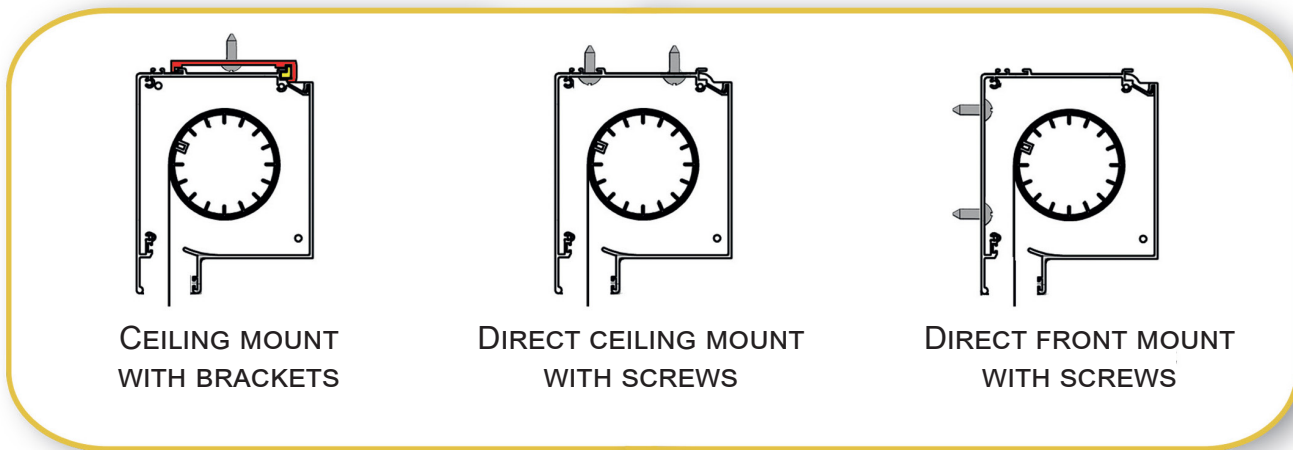
ZIPPY IS THE IDEAL SOLUTION TO PROTECT AND SHELTER ALL KINDS OF SPACES.

THERE ARE VARIOUS MODELS AVAILABLE. THEY ALL FEATURE ADJUSTABLE SIDE GUIDES WITH ZIP TECHNOLOGY THAT GUARANTEES EXCELLENT FABRIC HOLD WITH CONSEQUENT EXCELLENT WIND RESISTANCE RESULTS.

MAIN FEATURES:

MOUNT

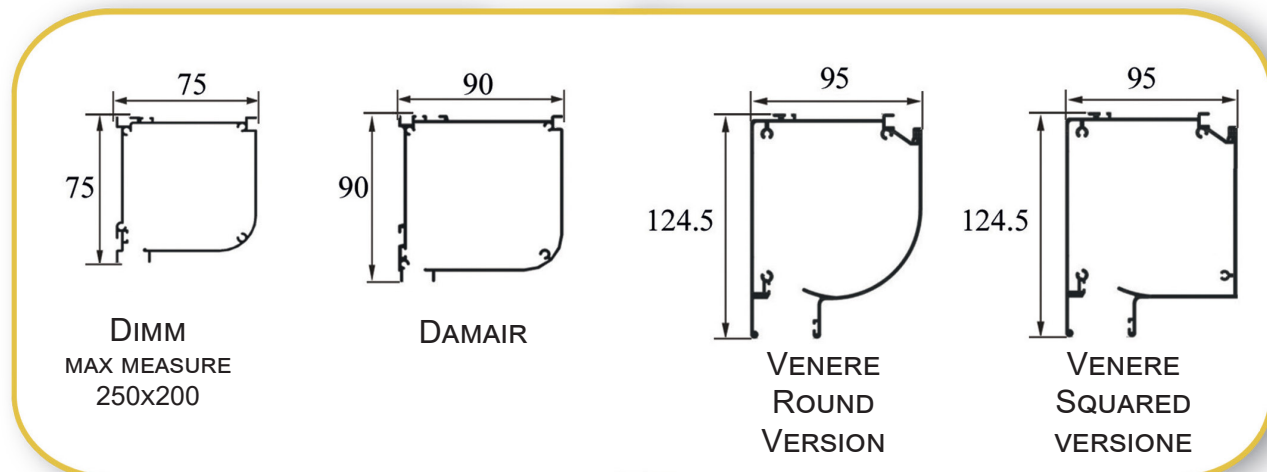
75 DIMM AND 90 DAMAIR ALUMINIUM BOXES: CEILING OR WALL MOUNT WITH BRACKETS;
INSPECTABLE VENERE BOX : DIRECT FRONT OR CEILING MOUNT WITH SCREWS, OR CEILING MOUNT WITH BRACKETS.



ALUMINIUM BOX

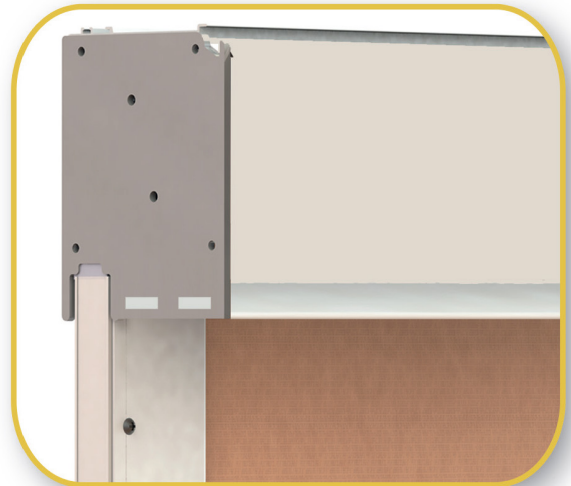
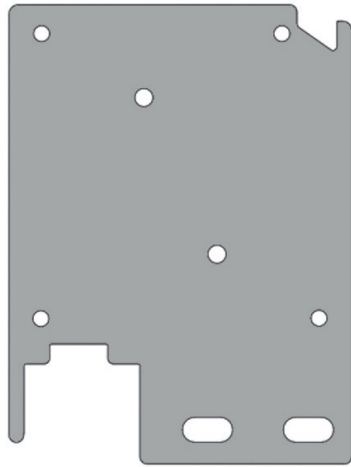
EACH BOX IS CHOSEN BASED ON BLIND DIMENSIONS AND FABRIC USED.

- 75 DIMM AND 90 DAMAIR BOXES WITH PLASTIC END CAPS. END CAPS ARE AVAILABLE IN 4 COLOURS: BLACK, WHITE, IVORY AND BROWN;
- 95 INSPECTABLE VENERE BOX IS AVAILABLE IN A ROUND OR SQUARED VERSION. METAL END CAPS ARE COATED IN THE SAME COLOUR AS THE ALUMINIUM STRUCTURE.



END CAPS FOR LATERAL FIXING

ON REQUEST, IT IS POSSIBLE TO ORDER END CAPS FOR A LATERAL FIXING.

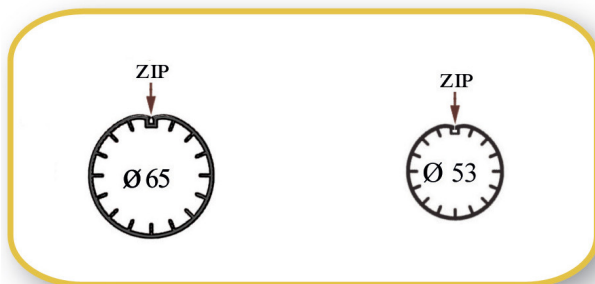


EASY MAINTENANCE SYSTEM

RULLO AVVOLGITORE CON SEDE PORTA ZIP (SISTEMA BREVETTATO)

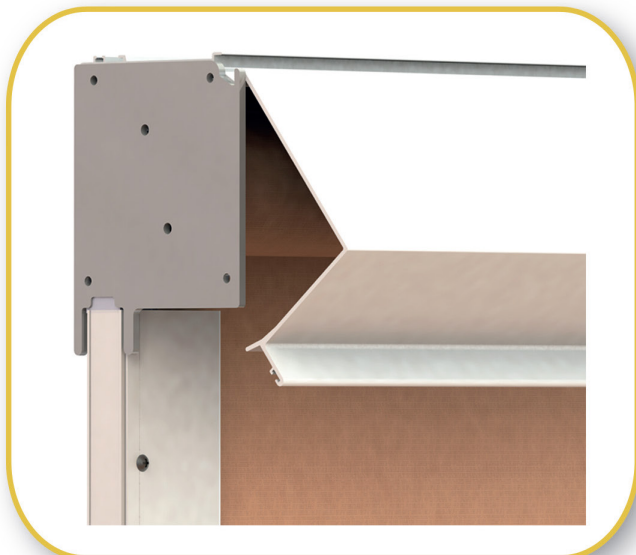
ALUMINIUM ROLLER TUBE AND ZIPPY BOTTOM BAR HAVE A ZIP HOUSING.

ZIP IS WELDED ON 4 FABRICS SIDES. IT IS VERY IMPORTANT BECAUSE IT SPEEDS UP ASSEMBLY OPERATIONS AS ANY FABRIC REPLACEMENT / MAINTENANCE.



ROLLER RELEASE

IN LIGHT VERSIONS, USING VENERE BOX, THE ALUMINIUM ROLLER TUBE CAN BE REMOVED WITHOUT HAVING TO DISMANTLE THE BLIND.

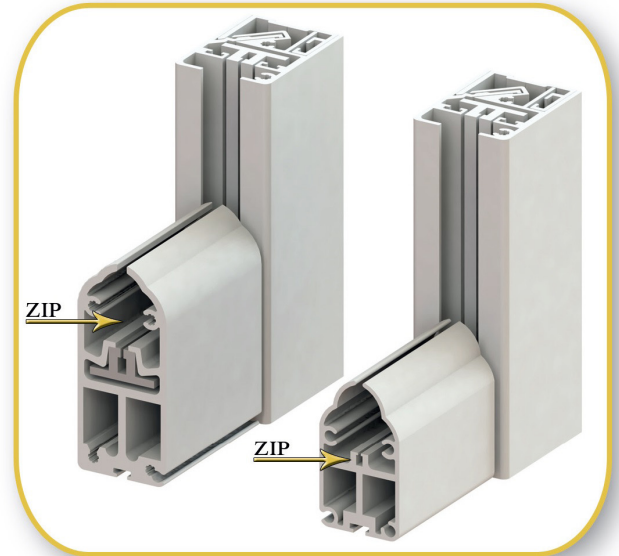


ZIPPY BOTTOM BAR WITH ZIP HOUSING

BOTTOM BAR IS AVAILABLE IN 2 VERSIONS:

- ZIPPY BOTTOM BAR WITH ZIP HOUSING;
- ZIPPY XL BOTTOM BAR WITH PVC GUIDE HOLDER (PVC GUIDE FOR ZIP RETENTION)

IN CASE OF GEAR OPERATION, A LOCK SYSTEM CAN BE INSTALLED ON THE BOTTOM BAR TO MANUALLY TIGHTEN THE FABRIC.



LOCK SYSTEM

IN CASE OF GEAR OPERATION, A LOCK SYSTEM CAN BE INSTALLED ON THE BOTTOM BAR TO MANUALLY TIGHTEN THE FABRIC.



VALANCE

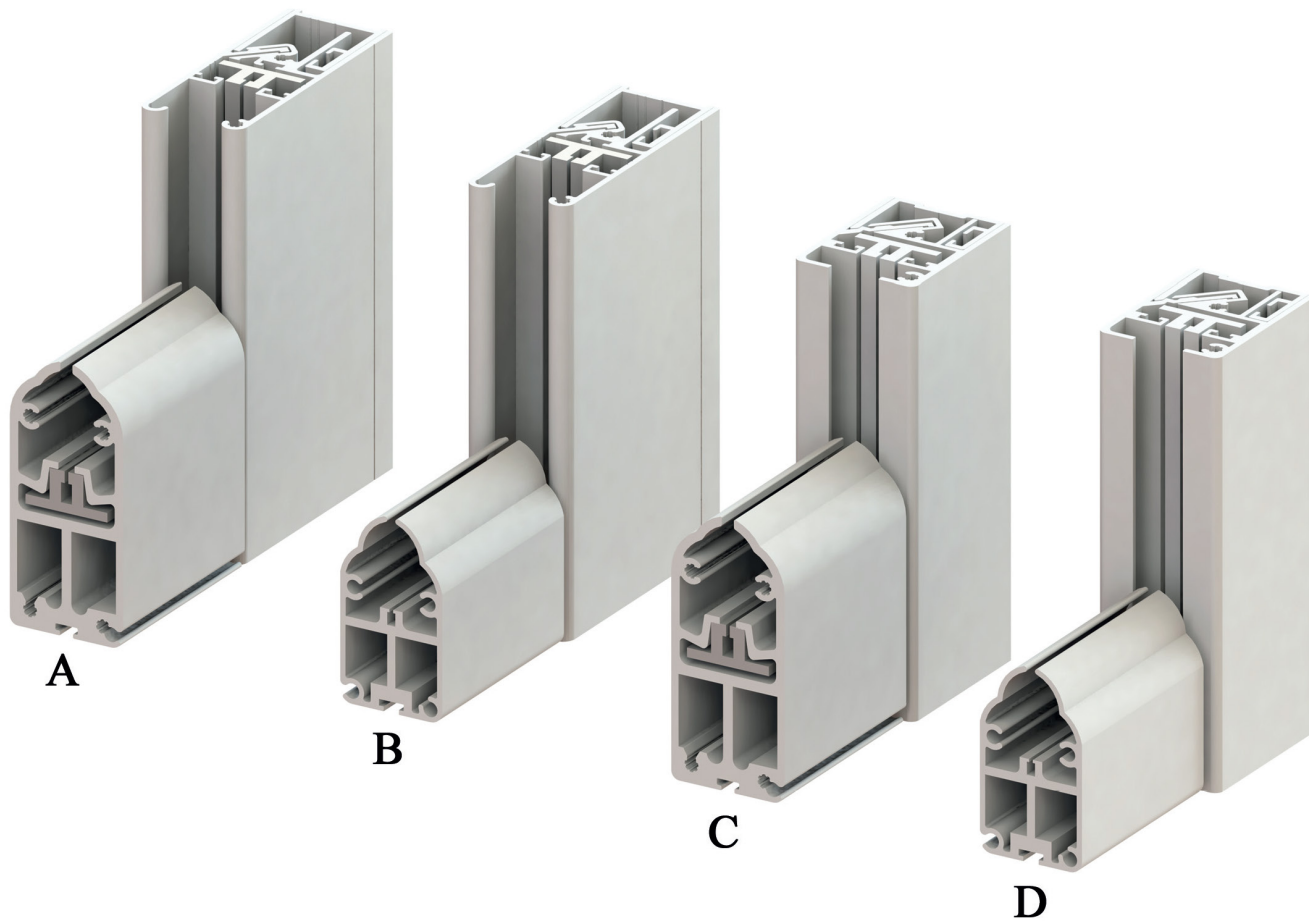
ON REQUEST, THERE IS THE POSSIBILITY TO ADD A VALANCE TO THE BOTTOM BAR.



GASKET

ON REQUEST, THERE IS THE POSSIBILITY TO ADD A GASKET PROFILE (13 MM) TO THE BOTTOM BAR. AVAILABLE IN BLACK AND GREY

POSSIBLE COMBINATIONS BETWEEN DIFFERENT TYPES OF BOTTOM BAR AND ZIPPY SIDE GUIDES.



ZIPPY ADJUSTABLE SIDE GUIDE

ZIPPY SIDE GUIDE IS AVAILABLE IN 3 VERSIONS AND CAN BE CHOSEN ACCORDING TO CUSOMER'S NEEDS.

1. ZIPPY SIDE GUIDE FOR LATERAL FIXING;
2. ZIPPY SIDE GUIDE FOR FRONT FIXING;
3. ZIPPY SLIM GUIDE FOR A SIDE FIXING;

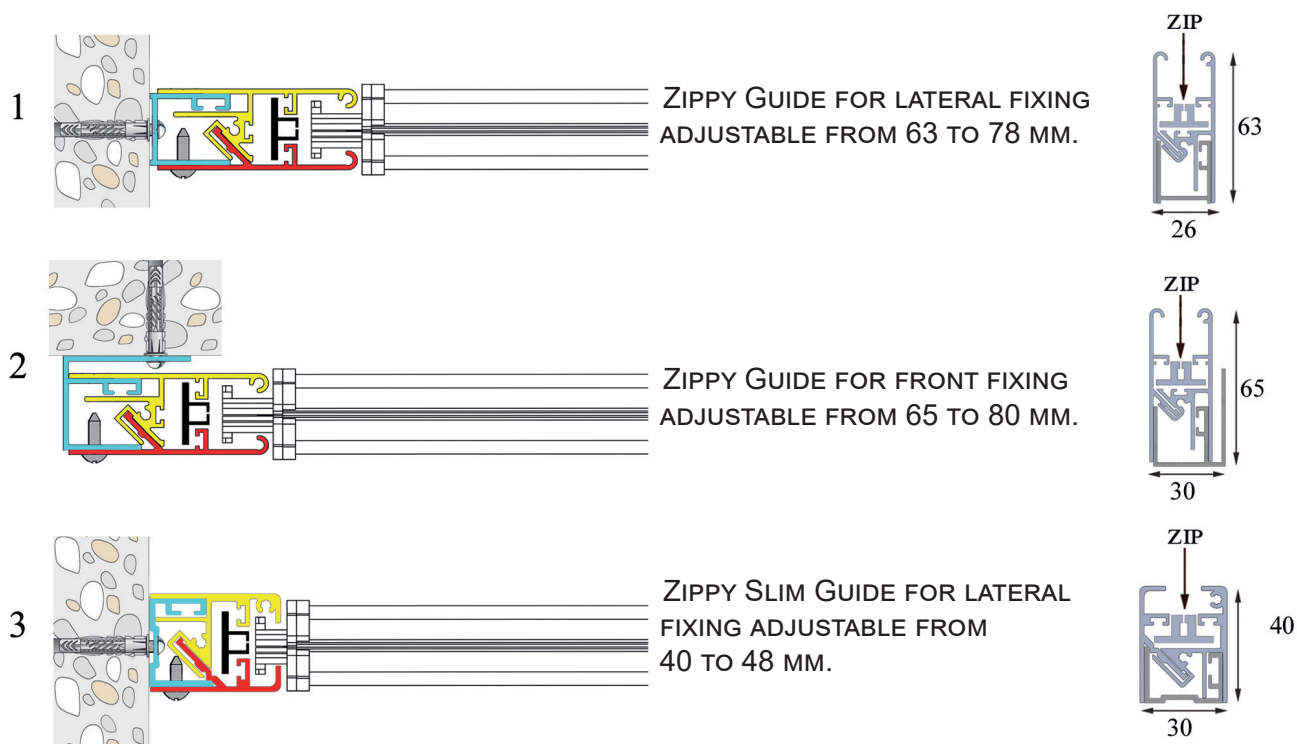
ALL ZIPPY SIDE GUIDES ARE ADJUSTABLE AND MADE UP OF 3 ALUMINIUM PROFILES TO RECOVER UP 1,8 CM. OFFSET FOR ZIPPY SLIM SIDE GUIDE (3) AND UP TO 3 CM. OFFSET FOR ZIPPY SIDE GUIDE (1-2).

GUIDE LOCK SYSTEM WITH SCREWS. SCREWS ARE HIDDEN WITH PLASTIC CAPS AVAILABLE IN 4 COLOURS.

BRUSH IS INSTALLED INSIDE THE SIDE GUIDES IN ORDER TO REDUCE NOISE CAUSED BY CONTACT BETWEEN PVC GUIDE AND ALUMINIUM GUIDE.

PVC GUIDE GUARANTEES A PERFECT ZIP RETENTION

ZIP IS WELDED ON 4 FABRIC SIDES . AVAILABLE IN GREY, WHITE AND BLACK COLOUR. (BLACK IS ALWAYS USED WITH BLACKOUT FABRIC).



SCREW CAPS

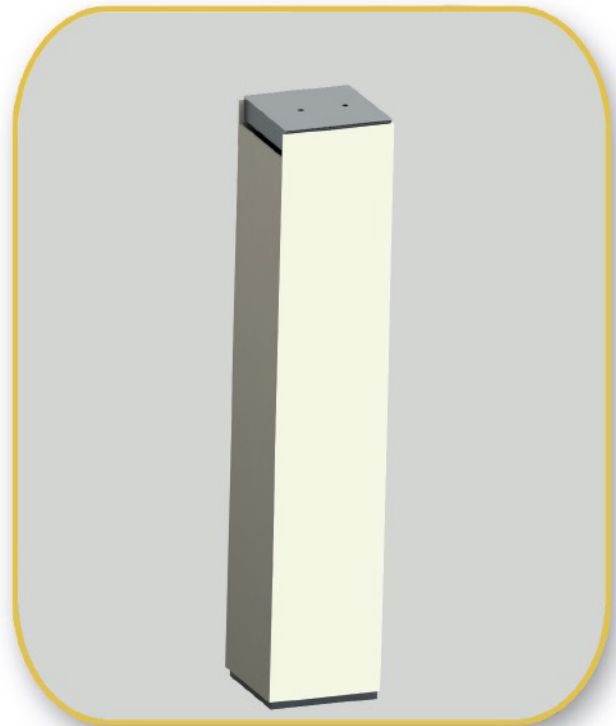
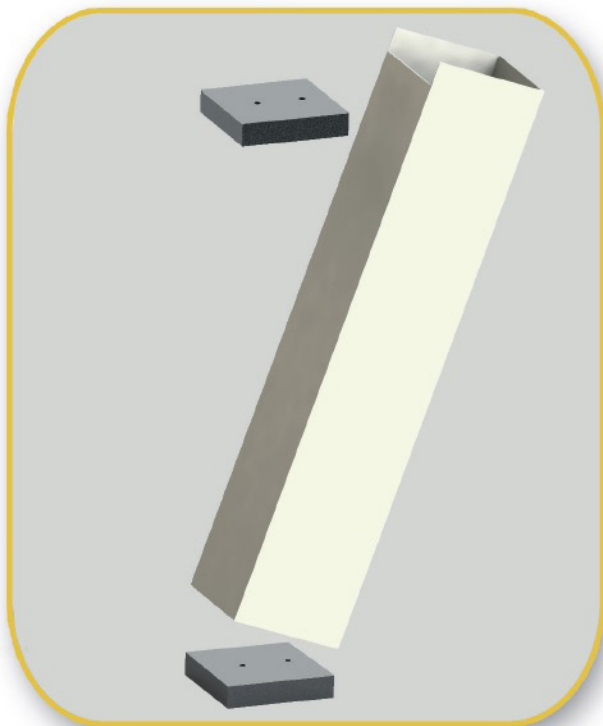
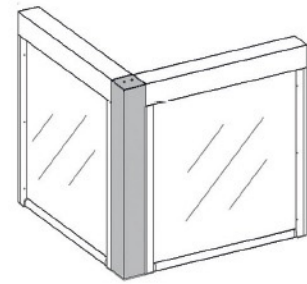
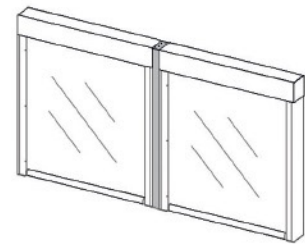
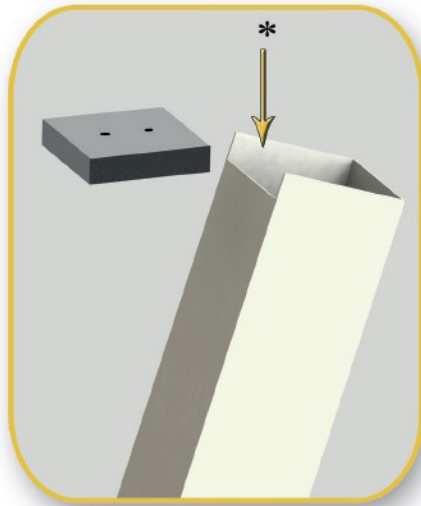
ELEGANT NYLON SCREW CAPS ARE AVAILABLE IN 4 COLOURS: BLACK, WHITE, IVORY AND BROWN.



TUBULAR PROFILES

THEY ARE USED FOR CORNER INSTALLATION OR AS UPRIGHTS BETWEEN TWO BLINDS

* CUTOUT FOR TUBULAR
INSERTION INTO THE PLATE



CONTROL

ZIPPY CAN BE GEAR OR MOTOR OPERATED.

GEAR

GEAR OPERATION WITH FIXED ROD (A) OR REMOVABLE MAGNET ROD (B).

IN CASE OF MAGNETIC ROD, UNLESS OTHERWISE SPECIFIED ON ORDER FORM, ONE HANDLE WILL BE SUPPLIED FOR EACH ORDER.

ON REQUEST A LOCK SYSTEM CAN BE INSTALLED ON THE BOTTOM BAR TO MANUALLY TIGHTEN THE FABRIC.



MOTOR

MOTOR CAN BE WITH WIRED DRIVES OR ELECTRONIC SETTING WITH REMOTE CONTROL.

AVAILABLE MOTORS: CHERUBINI, SOMFY AND GAPOSA.

FABRICS

VARIOUS FABRIC ARE USED IN ZIPPY SYSTEM: POLYESTER INSECT SCREEN MAGICSCREEN, SOLTIS SHADING, OPATEX BLACKOUT AND TRANSPARENT PVC (CRISTAL).

MAGICSCREEN IS AVAILABLE IN BLACK COLOUR.

IT IS SO STRONG THAT IT RETURNS TO THE CORRECT POSITION IF IT EXPERINCES SMALL PERFORATIONS.

WELDING

ALL FABRICS ARE HORIZONTALLY WELDED.

COATING AND SCREWS

ALL ALUMINIUM PROFILES UNDERGO AN OPEN-PORE ANODIC OXIDATION PRETREATMENT.

THEN, THE POWDER COATING ON THE ALUMINIUM HAS HIGHT MECHANICAL PROPERTIES AND INCREASE PROTECTION AGAINST CORROSION AND AGGRESSIVE ATMOSPHERE.

STAINLESS STEEL SCREWS.

WIND RESISTANCE

GARATTONI TESTS ALL AWNINGS TO CHECK THEY RESIST TO WIND IN ACCORDANCE TO UNI EN 13561.

TESTED SIZE: 5 M X 3 M – CLASS 5 (83 KM/H)





TEST ZIPPY XL



TESTED SAMPLE
5 x 3 MT



Garattoni

LIVING | INNOVATION

GARATTONI DARIO DI R.I.

VIA DEL SALICE, 8 - 47822 SANTARCANGELO DI ROMAGNA (RN)

TEL. 0039.0541.625648

WWW.GARATTONIDARIO.COM - INFO@GARATTONIDARIO.COM

