

A series of horizontal yellow lines of varying lengths, stacked on the left side of the page and extending towards the right, creating a dynamic, layered effect.

# **ZIPPY GHOST 2.0**

**OUTDOOR TECHNICAL BLINDS**

# ZIPPY GHOST 2.0

ZIPPY GHOST WAS ESPECIALLY DESIGNED TO MEET ARCHITECTS AND DESIGNERS INCREASING DEMANDS.

IT EXPLOITS ALL THE BENEFITS OF ZIPPY SYSTEM.

FOR THIS REASON, IT IS THE PERFECT AND FULLY INTEGRATED SOLUTION THAT COMBINES DESIGN, FUNCTIONALITY AND ENERGY SAVING.

ZIPPY GHOST IS COMPLETELY INTEGRATED INTO THE WINDOW BLOCK TO ACHIEVE MAXIMUM PROTECTION WITH MINIMAL AESTHETIC IMPACT.

IT IS OUR NEW BUILT-IN SYSTEM THAT COMBINES AN INSECT SCREEN WITH A SHADE OR FILTERING FABRIC.

THE FULLY INTEGRATED RETRACTABLE INSECT SCREEN SYSTEM IS AVAILABLE IN ROLLER, SLIDING OR PLEATED VERSIONS.

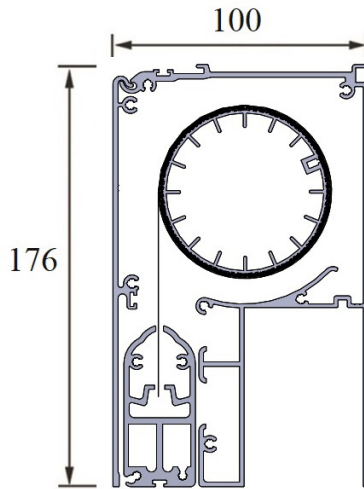
ZIPPY GHOST 2.0 IS THEREFORE THE FULLY INTEGRATED COMBINATION OF 2 SYSTEMS AS BLACKOUT-FILTERING AWNING + FLYSCREEN.

MAXIMUM DIMENSION SUGGESTED: 4500 x 3000



## Box

SELF-SUPPORTED ALUMINIUM BOX GHOST 2.0 - 100 x 176



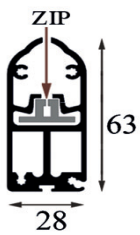
## TUBE

ALUMINIUM ROLLER TUBE Ø 65 WITH ZIP HOUSING



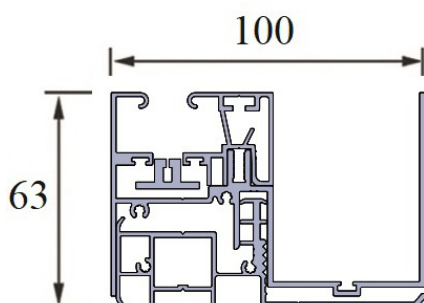
## BOTTOM BAR

ZIPPY XL BOTTOM BAR WITH PVC GUIDE HOLDER (PVC GUIDE FOR ZIP RETENTION)



## SIDE GUIDES

RECESSED ALUMINIUM SIDE GUIDE



## SIDE GUIDES

RECESSED ALUMINIUM SIDE GUIDE MADE OF 3 ELEMENTS TO PERMIT ADJUSTMENTS UP TO A MAXIMUM OF 2 CM. OFFSET. (1 CM FOR EACH SIDE)

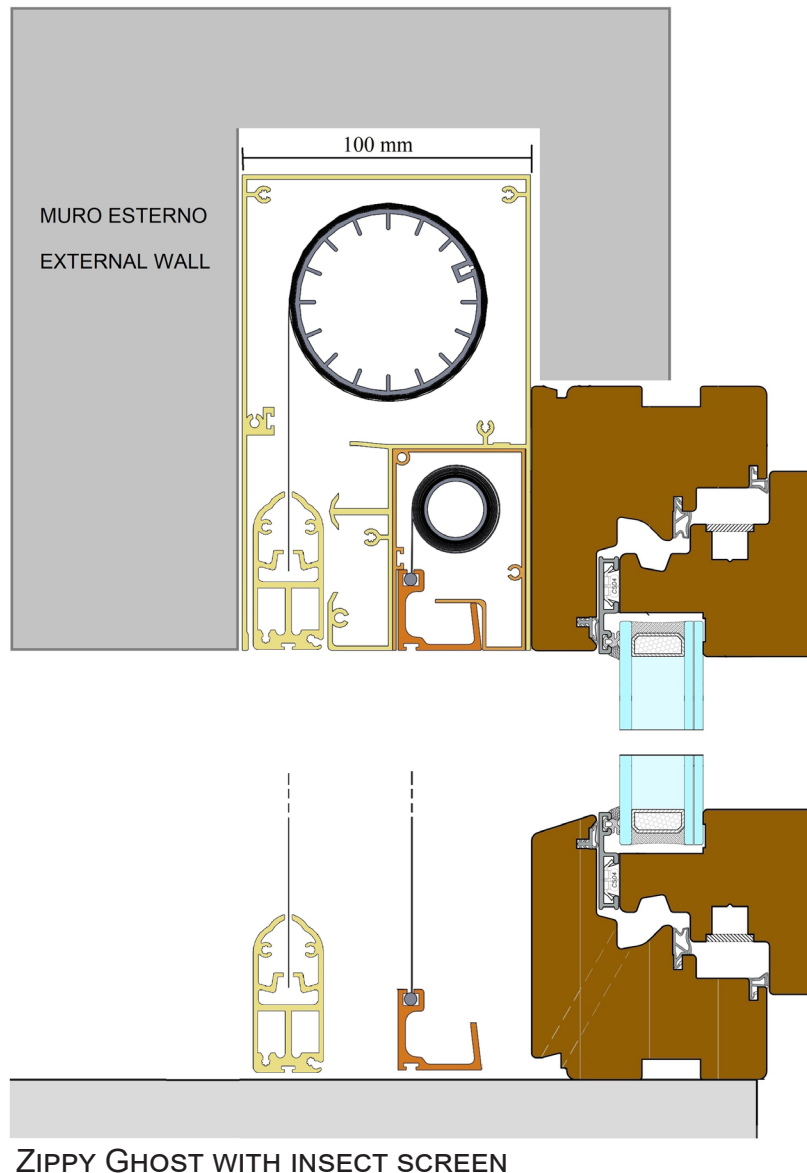
EASY, FAST AND ACCURATE ADJUSTMENT USING REGULATORS.

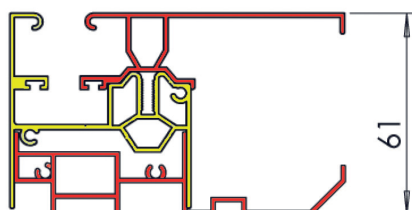
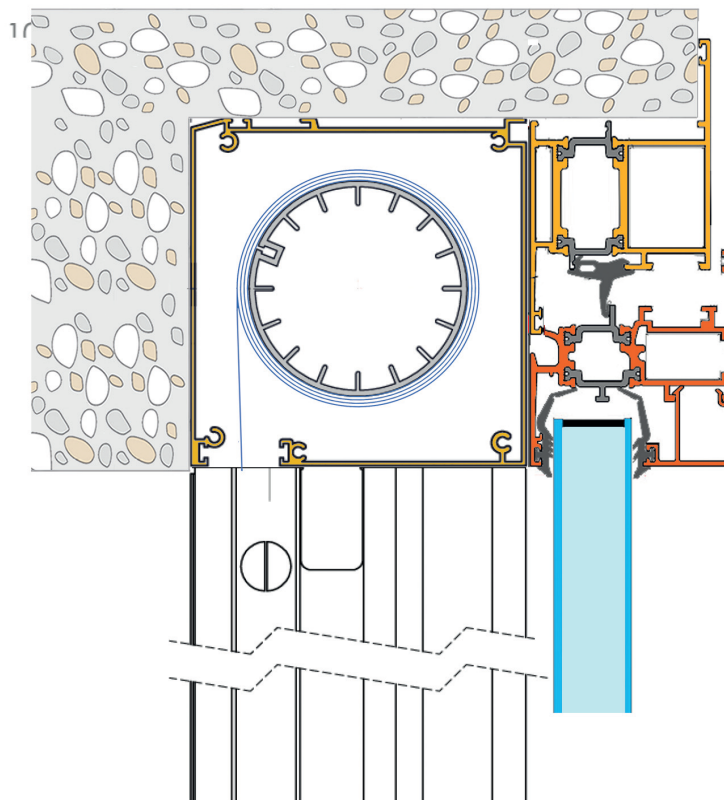
SIDE GUIDE LOCKING SYSTEM WITH STAINLESS STEEL SCREW.

BRUSH IS INSTALLED INSIDE THE SIDE GUIDES IN ORDER TO REDUCE NOISE CAUSED BY CONTACT BETWEEN PVC GUIDE AND ALUMINIUM GUIDE.

PVC GUIDE GUARANTEES A PERFECT ZIP RETENTION AND CONSEQUENT EXCELLENT WIND RESISTANCE.

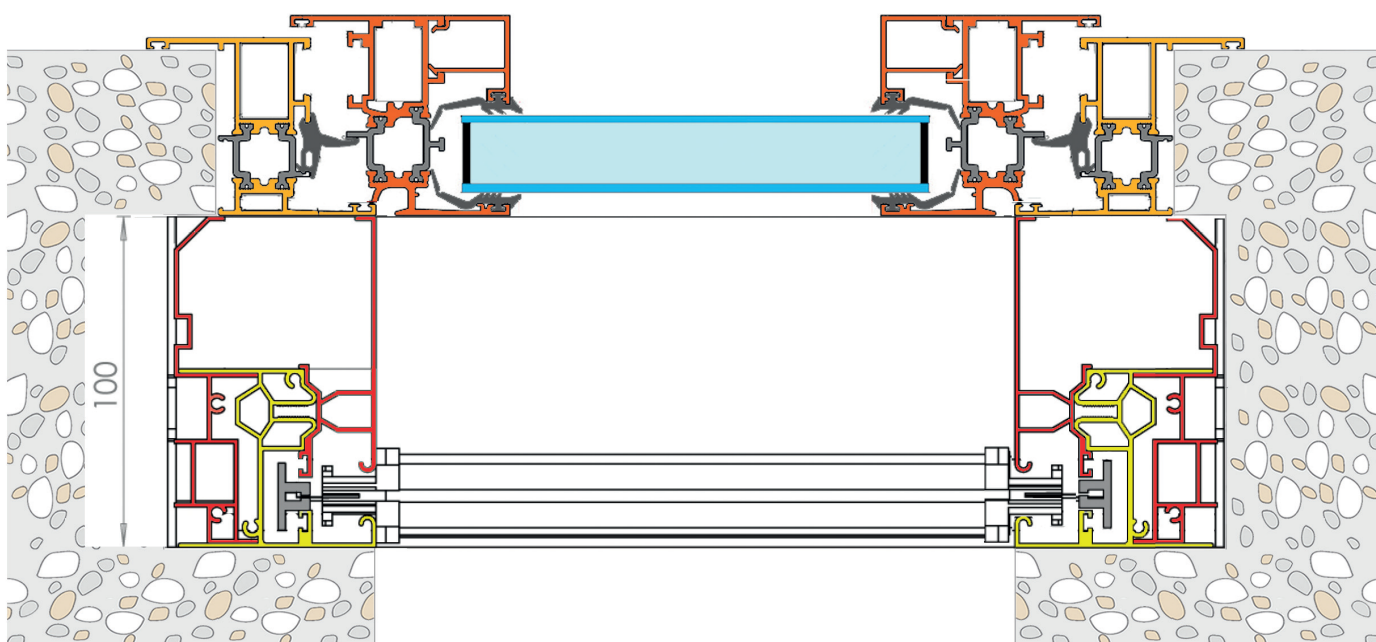
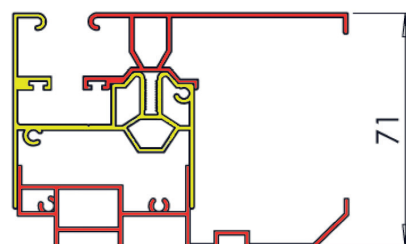
ZIP IS WELDED ON 4 FABRIC SIDES (PATENTED SYSTEM). AVAILABLE IN GREY, WHITE AND BLACK COLOUR. (BLACK IS ALWAYS USED WITH BLACKOUT FABRIC).





**GUIDA A 3 ELEMENTI REGISTRABILE.  
PROFONDITÀ DA 61 A 71 MM.**

TRAMITE L'USO DI UNA CHIAVE  
ESAGONALE SI PUÒ PORTARE LA GUIDA  
PERFETTAMENTE A FILO DELL'INFISSO O  
DEL MURO ESISTENTE



## **INSECT SCREEN**

THE FULLY INTEGRATED RETRACTABLE INSECT SCREEN SYSTEM SHOULD BE:

### **RECESS-FIT VERTICAL INSECT SCREEN.**

- SPRING CONTROL
  - FIBERGLASS MESH WRAPPED INSIDE
- MAXIMUM DIMENSION SUGGESTED 1500 x 1500;

### **RECESS-FIT SIDEWAY INSECT SCREEN**

- SPRING CONTROL
  - FIBERGLASS MESH WRAPPED INSIDE
- MAXIMUM SUGGESTED DIMENSION 1700 x 2800

### **DOUBLE SIDEWAYS INSECT SCREEN**

- RECESS-FIT SIDEWAY INSECT SCREEN
  - SPRING CONTROL
  - FIBERGLASS MESH WRAPPED INSIDE
- MAXIMUM SUGGESTED DIMENSION: 3400 x 2800

### **PLEATED INSECT SCREEN**

MAXIMUM SUGGESTED DIMENSION: 2500 x 3000

### **DOUBLE PLEATED INSECT SCREEN**

MAXIMUM SUGGESTED DIMENSION: 4500 x 3000



RECESS-FIT VERTICAL INSECT SCREEN



PLATED SHADING SCREEN





## CONTROL

MOTOR OPERATION: WITH WIRED DRIVES OR ELECTRONIC SETTING WITH REMOTE CONTROL.  
AVAILABLE MOTORS ARE CHERUBINI, SOMFY AND GAPOSA.

## FABRICS

VARIOUS FABRIC ARE USED IN ZIPPY SYSTEM: POLYESTER INSECT SCREEN, SOLTIS SHADING AND OPA-  
TEXBLACKOUT .

MAGICSCREEN IN AVAILABLE IN BLACK COLOUR.

IT IS SO STRONG THAT IT RETURNS TO THE CORRECT POSITION IF IT EXPERINCES SMALL PERFORATIONS.

## WELDING

ALL FABRICS ARE HORIZONTALLY WELDED.

## COATING AND SCREWS

ALL ALUMINIUM PROFILES UNDERGO AN OPEN-PORE ANODIC OXIDATION PRETREATMENT.

THEN, THE POWDER COATING ON THE ALUMINIUM HAS HIGHT MECHANICAL PROPERTIES AND INCREASE PRO-  
TECTION AGAINST CORROSION AND AGGRESSIVE ATMOSPHERE.

STAINLESS STEEL SCREWS.

## WIND RESISTANCE

GARATTONI TESTS ALL AWNINGS TO CHECK THEY RESIST TO WIND IN ACCORDANCE TO UNI EN 13561.

TESTED SIZE: 4 M X 3 M – CLASS 5 (83 KM/H) WITH BLACKOUT FABRIC

TESTED SIZE: 4 M X 3 M – CLASS 6 (102 KM/H) WITH SOLTIS FABRIC



# Garattoni

LIVING | INNOVATION

**GARATTONI DARIO DI R.I.**

VIA DEL SALICE, 8 - 47822 SANTARCANGELO DI ROMAGNA (RN)

TEL. 0039.0541.625648

WWW.GARATTONIDARIO.COM - INFO@GARATTONIDARIO.COM

